

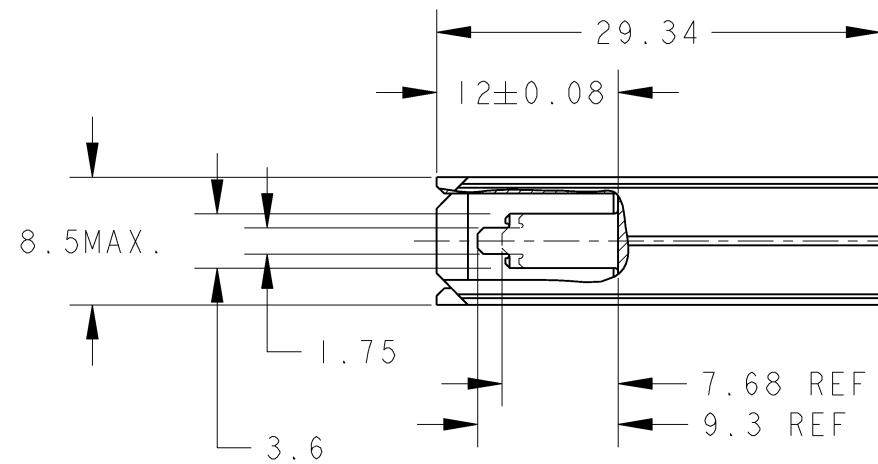
THIS DRAWING IS UNPUBLISHED.

RELEASED FOR PUBLICATION

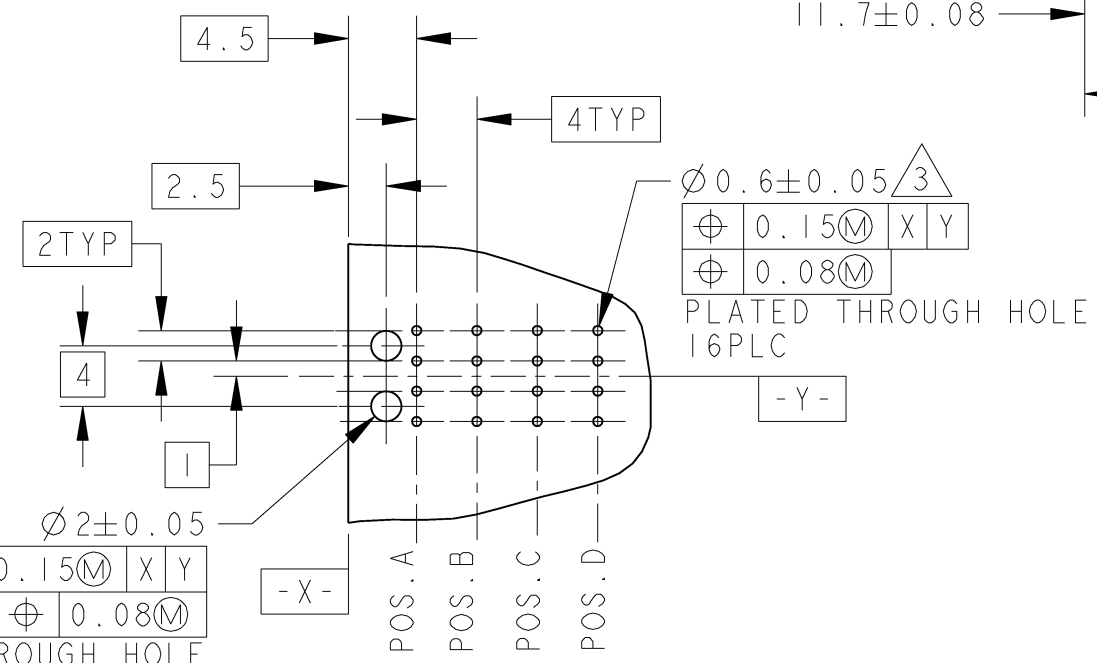
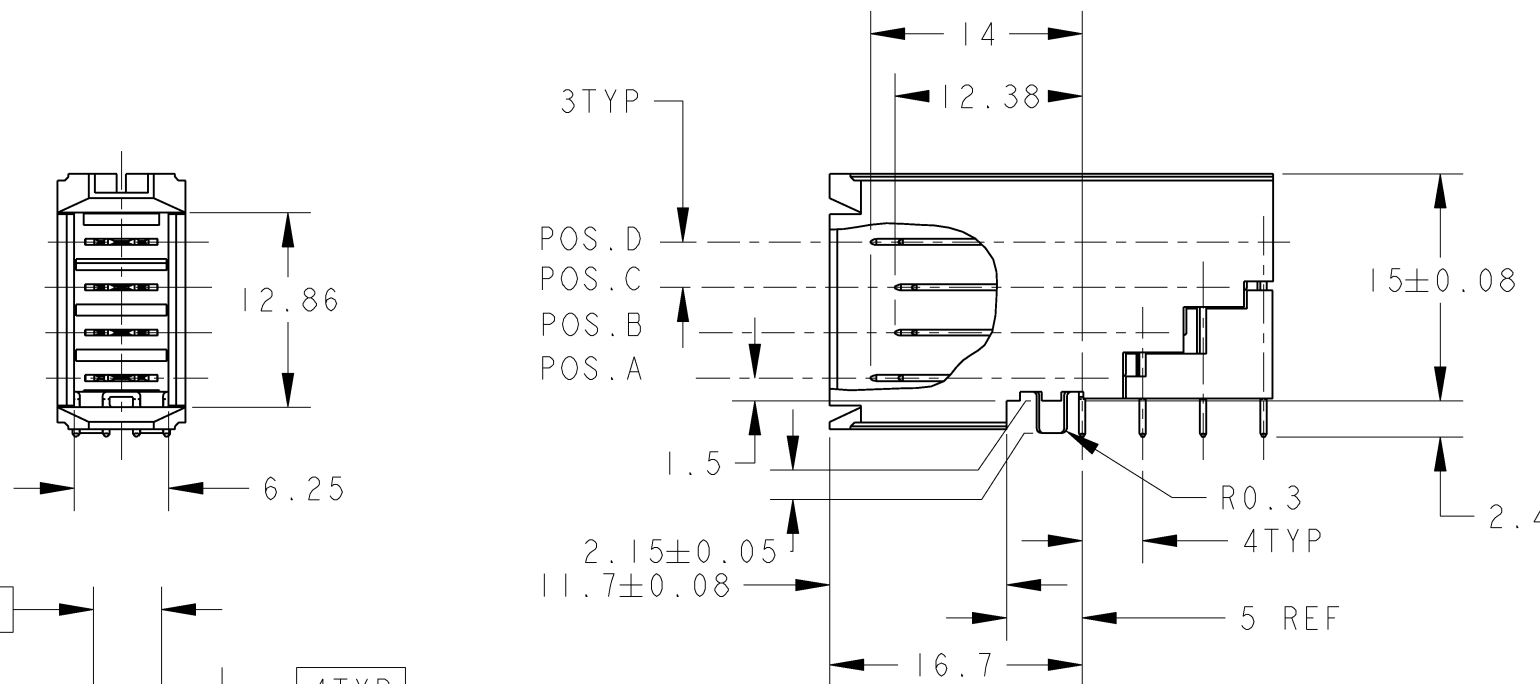
20

© COPYRIGHT 2011 BY Tyco Electronics Japan G.K. ALL RIGHTS RESERVED.

LOC	DIST	REVISIONS						
		P	LTR	DESCRIPTION	DATE	DWN	APVD	
J	-		C	REVISED	ECR-11-016856	15AUG2011	K.M	E.T



- 1 MATERIAL  
CONTACT: COPPER ALLOY  
HOUSING: THERMOPLASTIC
- 2 FINISH  
CONTACT MATING AREA: 0.76μm MIN. GOLD PLATE  
EON AREA: 0.5μm MIN. TIN PLATE  
ALL OVER: 1.27μm MIN. NICKEL PLATE
- 3 TYPICAL HOLE DETAIL;  
DRILLED HOLE=Ø0.7±0.02  
COPPER THICKNESS=0.035 TO 0.065
- 4 FINISH  
CONTACT MATING AREA: 0.76μm MIN. GOLD PLATE  
EON AREA: 0.5μm MIN. BRIGHT TIN-LEAD PLATE  
ALL OVER: 1.27μm MIN. NICKEL PLATE
- 5. CONTACT AREA LUBRICATED WITH BELLCORE APPROVED LUBRICANT. TECHNICAL REFERENCE: GR-1217-CORE, ISSUE 2, DECEMBER 2008.



FINISH	POSITIONS LOADED WITH 9.3 REF CONTACTS	POSITIONS LOADED WITH 7.68 REF CONTACTS	P/N
4	A, D	B, C	2-1903977-1
2	A, D	B, C	1903977-1

THIS DRAWING IS A CONTROLLED DOCUMENT.

DIMENSIONS: 単位: 概 mm	TOLERANCES UNLESS OTHERWISE SPECIFIED: 一般公差 ±0.3 0-PLC ± 1-PLC ±0.1 2-PLC ±0.01 3-PLC ±0.001 4-PLC ±0.0001 ANGLES ±	DWN T. KATANO 21NOV06 CHK K. IKEGAMI 21NOV06 APVD K. IKEGAMI 21NOV06 PRODUCT SPEC 108-78387 APPLICATION SPEC 取付適用規格		
MATERIAL 材料	FINISH 仕上	WEIGHT -	SIZE A3	CAGE CODE -
SEE TABLE		DRAWING NO. 番号 C=1903977	RESTRICTED TO -	SCALE 尺度 2:1
CUSTOMER DRAWING			SHEET 1 OF 1	REV C